

# PARTS LIST

## MSB15LIZ

### CONTENTS

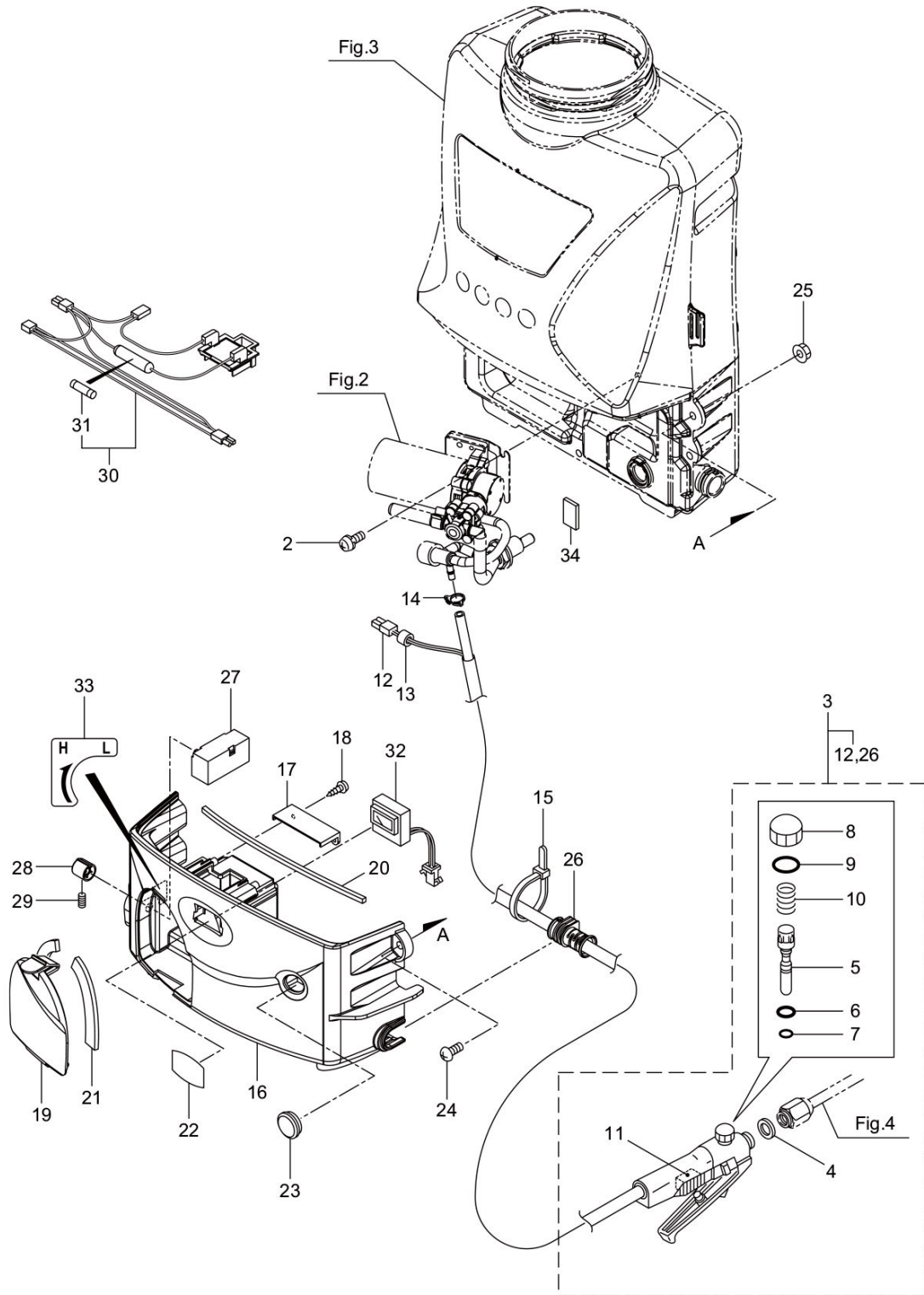
1. MAIN BODY .....	1
2. PUMP .....	3
3. CHEMICAL TANK .....	5
4. ACCESSORIES .....	7

2021. 10.



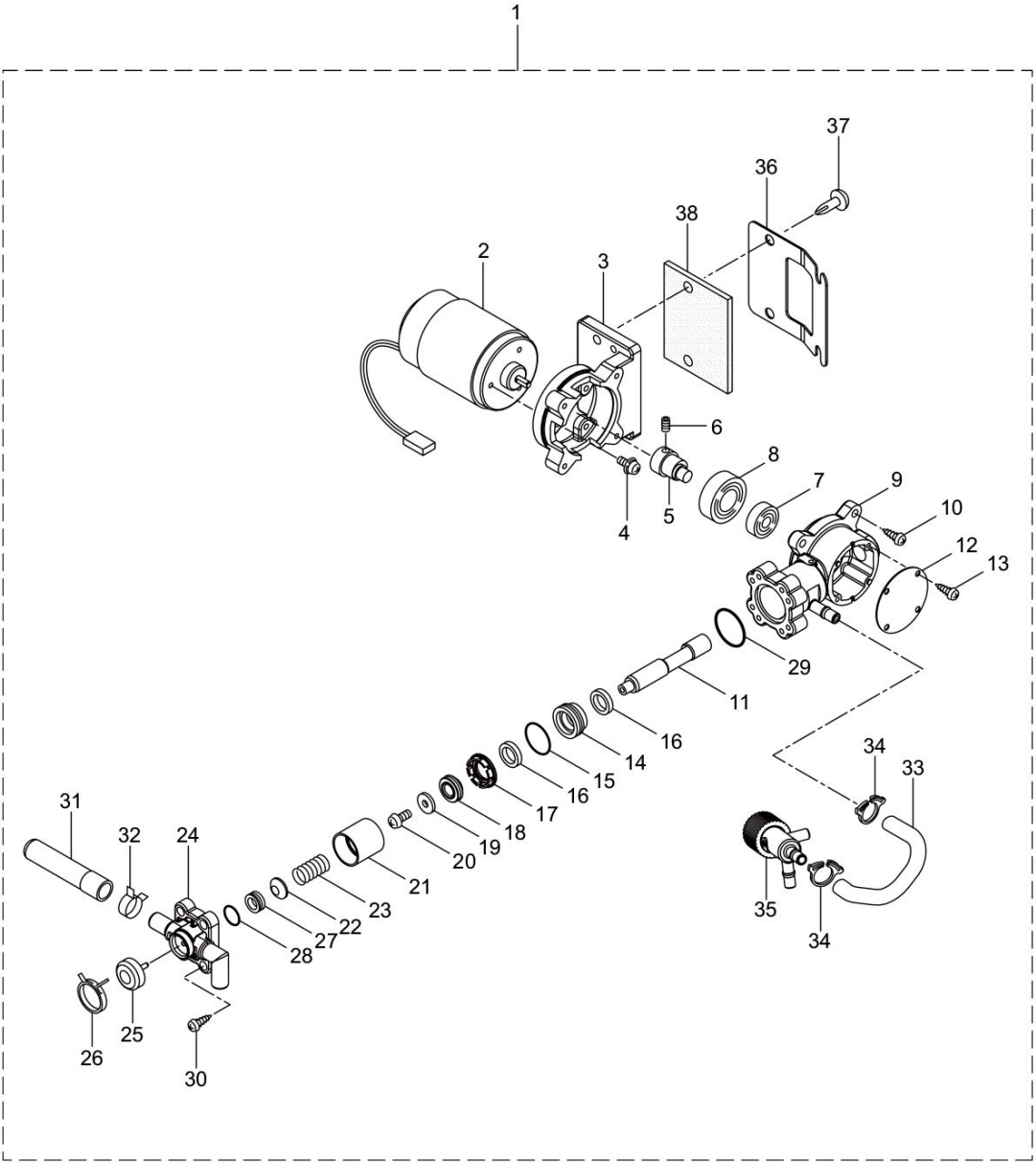
P/N 525267

MSB15LIZ  
1. MAIN BODY



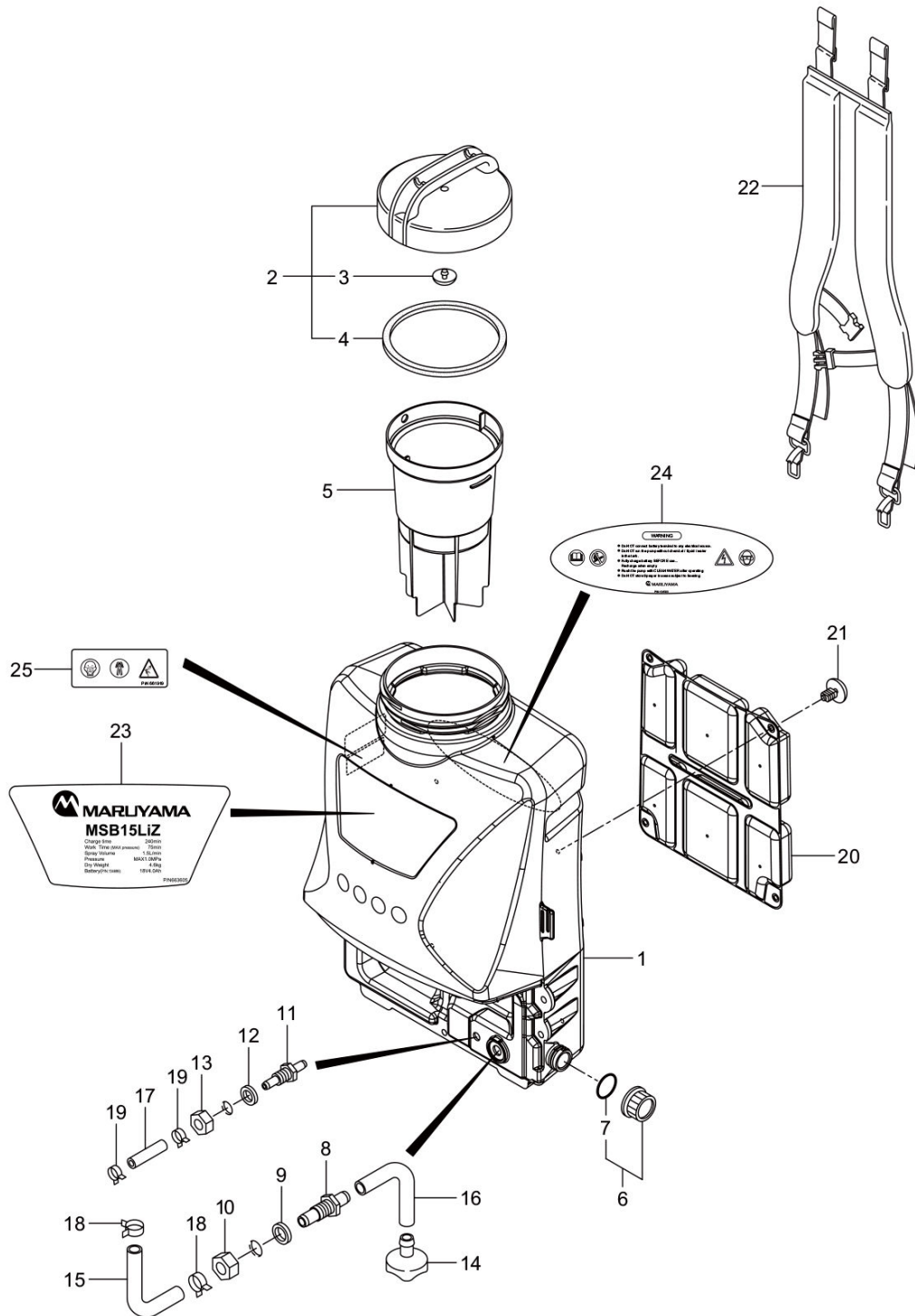
Status	Position	Parts Number	Parts Name	Unit Quantity	Lot Order Quantity	Remarks	Maker code
	1	353189	MSB15LIZ(EU)	1			
	2	126760	SCREW	2	10	M6x10	
	3	472865	GRIP VALVE ASSY	1		Incl.4-12,26	
	4	115865	PACKING	1	10	12x17.5xt3	
	5	132555	MACHINED DISC	1			
	6	124612	O-RING	1	5		
	7	014194	O-RING	1	5	S4	
	8	132558	CAP	1			
	9	011345	O-RING RETAINER	1	5	P12	
	10	117074	SPRING	1	5		
	11	117549	SWITCH	1			
	12	116013	CONNECTOR	1			
	13	661866		1			
	14	132502	HOSE CLAMP	1			
	15	107046	BAND	1	10	CV-125	
	16	134357	BRACKET	1			
	17	134104	TERMINAL COVER	1			
	18	128974	TAPPING SCREW	2	10	M4x16	
	19	134358	COVER	1			
	20	660845	PACKING	1			
	21	661555	PACKING	2	5	15x105xt5	
	22	661556	LABEL	1			
	23	661557	CAP	1			
	24	083457		3	10	M6x20	
	25	550108	NUT	3	10	M6	
	26	244735	HOSE GUIDE	1			
	27	134109	SPEED REGULATOR	1			
	28	134136	HANDLE	1			
	29	134214	SCREW	1	10		
	30	134112	WIRE HARNESS	1		Incl.31	
	31	114032	FUSE	1	10	7A	
	32	134113	BATTERY CHECKER ASSY	1			
	33	663329	LABEL	1		L-H	
	34	131610	PACKING	1	5	-2024.05	

MSB15LIZ  
2. PUMP



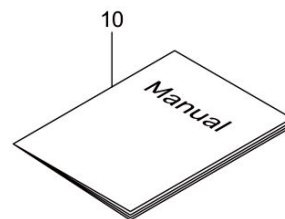
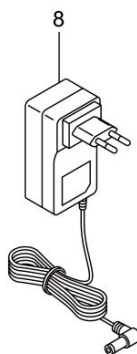
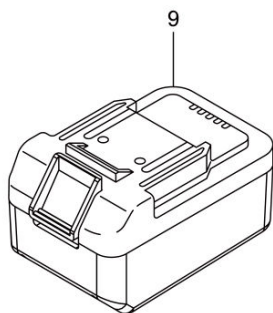
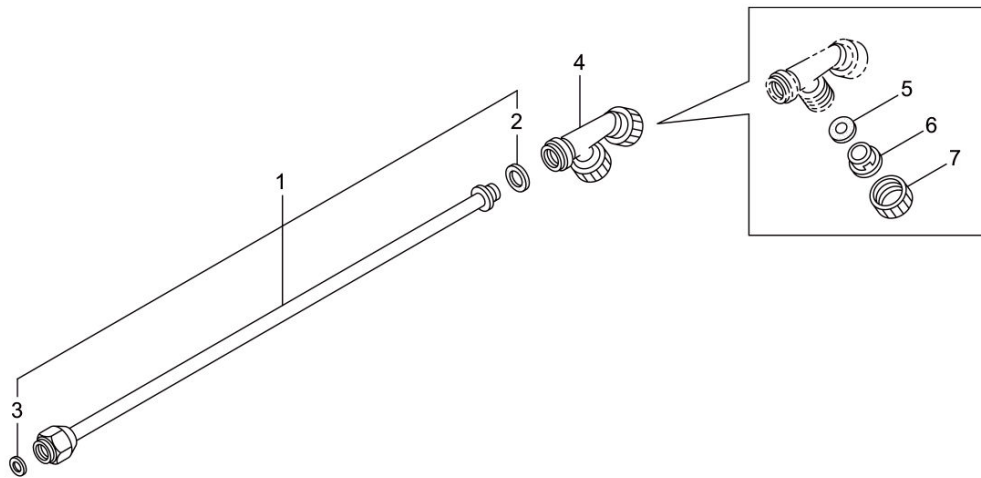
Status	Position	Parts Number	Parts Name	Unit Quantity	Lot Order Quantity	Remarks	Maker code
	1	663602	PUMP ASSY	1		Incl.2-38	
	2	661865	MOTOR	1			
	3	132472	FLANGE	1			
	4	126752	SCREW	3	10	M3x0.5x10	
	5	123253	CAM	1			
	6	132763	SCREW	1	10	M4x6	
	7	129712	BEARING	1		#607DDMC3	
	8	129713	BEARING	1		#6001DDUCM	
	9	123254	CRANKCASE	1			
	10	132079	SCREW	4	10	M4x14	
	11	115233	PISTON ROD	1			
	12	132481	PLATE	1			
	13	126754	TAPPING SCREW	2	10	M3x8	
	14	662764	SEAL CASE	1			
	15	014320	O-RING	1		S16	
	16	114005	PACKING A	2			
	17	132485	SEAL PACKING RETAINER	1	5		
	18	121434	PISTON PACKING	1			
	19	132486	MACHINED DISC	1			
	20	088312	SCREW	1	10	M4x8	
	21	123258	CYLINDER PIPE	1			
	22	116114	SUCTION VALVE	1			
	23	662765	SPRING	1		0.5-15L	
	24	132492	MANIFOLD	1			
	25	132493	PIN ASSY	1			
	26	132494	BAND	1	5		
	27	115121	MACHINED DISC	1			
	28	014198	O-RING	1	5	S8	
	29	015855	O-RING PLUG	1		P20	
	30	132079	SCREW	4	10	M4x14	
	31	114600	CAP	1		5x9x160	
	32	132583	HOSE BAND	1	5		
	33	134089	HOSE	1		5x9	
	34	132502	HOSE CLAMP	2			
	35	662767	SAFETY VALVE ASSY	1			
	36	125889	PLATE	1			
x	37	123461	FASTENER	2	5		
	38	116304	BUFFER	1	5		

MSB15LIZ  
3. CHEMICAL TANK



Status	Position	Parts Number	Parts Name	Unit Quantity	Lot Order Quantity	Remarks	Maker code
	1	661549	CHEMICAL TANK ASSY	1			
	2	124047	CHEMICAL TANK CAP ASSY	1		Incl.3,4	
	3	126668	RUBBER PLATE	1			
	4	123216	PACKING	1	5		
	5	661550	STRAINER	1			
	6	131606		1		Incl.7	
	7	014818	O-RING	1	5	W1516-16	
	8	661551	HOSE FITTING	1		M12x1.5	
	9	115865	PACKING	1	10	12x17.5xt3	
	10	081267	NUT	1	10	M12x1.5	
	11	661552	HOSE FITTING	1		M10x1.0	
	12	125334	PACKING	1	5		
	13	081252	NUT	1	10	M10x1.0	
	14	134131	STRAINER	1			
	15	134132	HOSE	1		8x12	
	16	134133	HOSE	1		8x12	
	17	131435	HOSE	1		5x9x50	
	18	043832	HOSE BAND	2	5		
	19	112530	HOSE BAND	2	5		
	20	134115	CUSHION PAD	1			
	21	660687	FASTENER	4	10		
	22	661823	BAND ASSY	1			
	23	663605	Label	1		MSB15LIZ	
	24	134583		1			
	25	661919	LABEL	1			

MSB15LIZ  
4. ACCESSORIES



Status	Position	Parts Number	Parts Name	Unit Quantity	Lot Order Quantity	Remarks		Maker code
	1	122933	NOZZLE PIPE ASSY	1		Incl.2,3		4565150
	2	112850	PACKING	1	5	11.5x15.5xt1.5		800001420
	3	112851	PACKING	1	5	7x11xt1.5		
	4	117958	WIDE NOZZLE	1		Incl.5-7		452408
	5	103171	PACKING H-704	2	5	H-704		501214
	6	412894	NOZZLE PLATE D-5S	2		NN-D-5S		491261
△	7	103173	CAP	2				
	8	134687	BATTERY CHARGER	1				
△	9	134686	BATTERY	1				
	10	663607	Instruction Manual	1		MSB15LIZ		